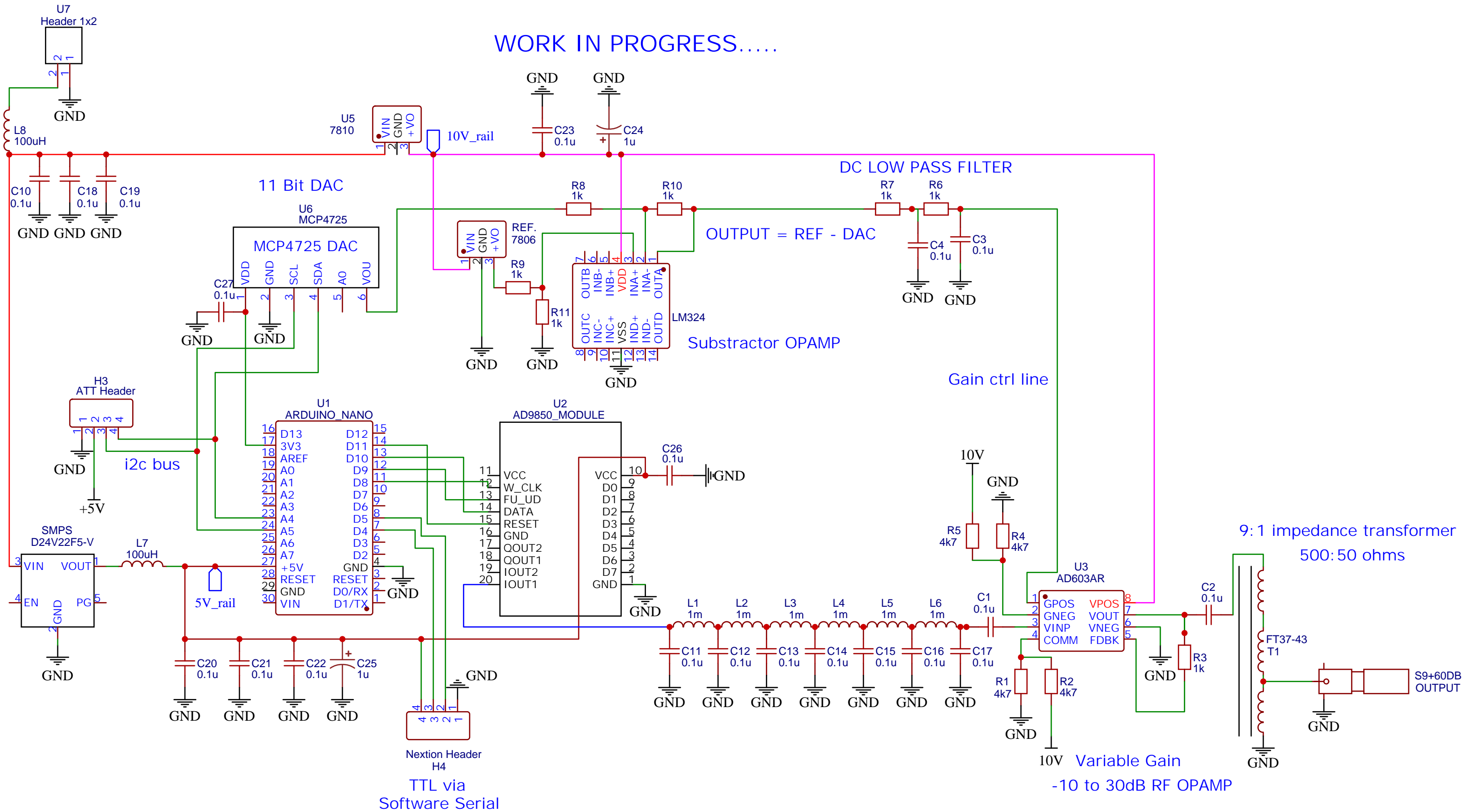


TITLE: 120dB digital attenuator with i2c bus		REV: 1.0
Company: YO8RXP		Sheet: 1/1
Date: 2023-03-17	Drawn By: Gabriel	

WORK IN PROGRESS.....



TITLE: Logic + RF Board		REV: 1.0
Company: YO8RXP		Sheet: 1/1
Date: 2023-03-17		Drawn By: Gabriel